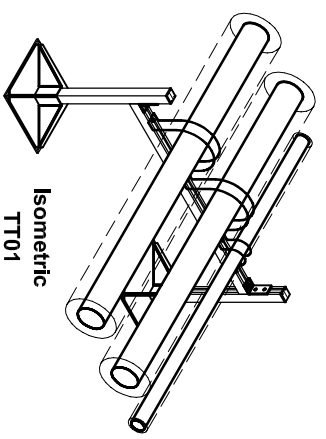


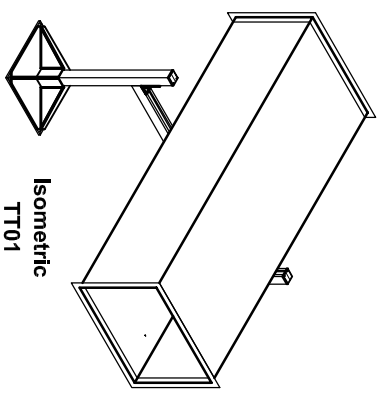
Copyright in this drawing is the property of TIPTOE. It must not be reproduced, stored in a retrieval system, or transmitted in any form or by any means, electronic, mechanical, photocopying, recording, or otherwise, without the express written consent of TIPTOE.



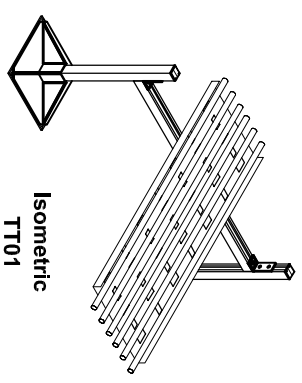
The TT01 is a very versatile support and can be used for a wide variety of services support applications. Here we show the standard TT01 support with depicted supported both piped and ducted services. Cost effective and convenient the width of span can be specified to suit the project, and the nature and width of the services to be supported. The PVC coated 'TIPTOE' feet is bonded on a firm thick and vibration mount. The foot can be welded to compensate for any unevenness on the support surface using the 'TIPTOE' system.



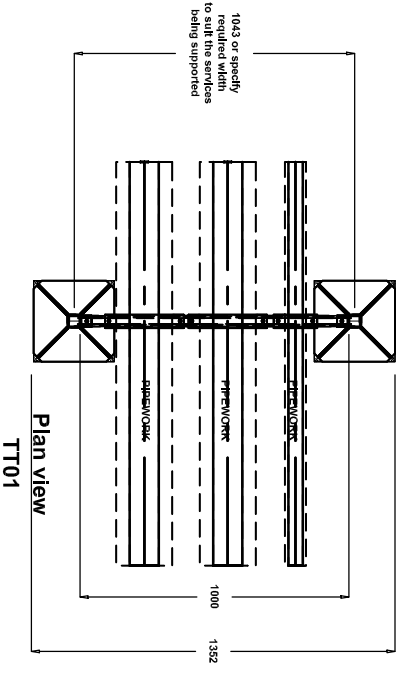
Isometric
TT01



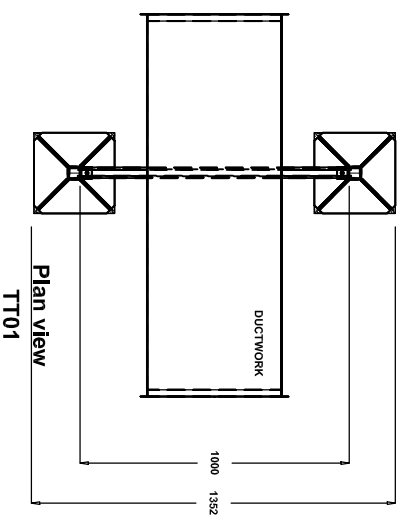
Isometric
TT01



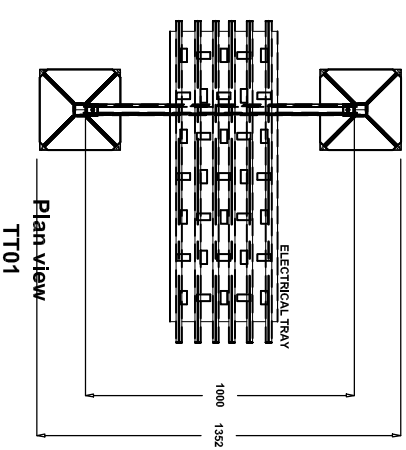
Isometric
TT01



Plan view
TT01

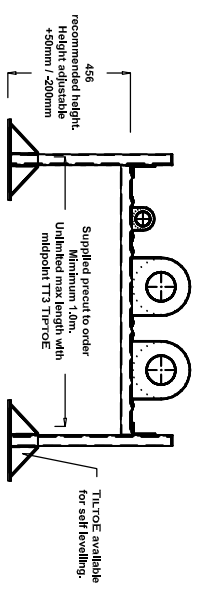


Plan view
TT01

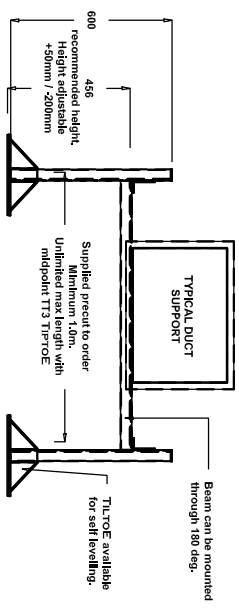


Plan view
TT01

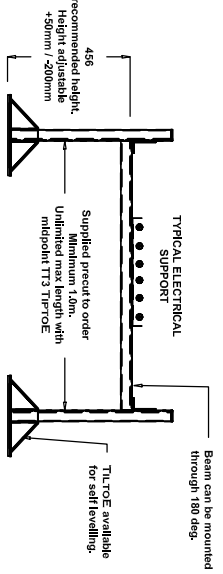
1043 or specify required width to suit the services being supported



Side elevation
TT01



Side elevation
TT01



Side elevation
TT01

recommended height
Height adjustable
+50mm / -200mm

recommended height
Height adjustable
+50mm / -200mm

recommended height
Height adjustable
+50mm / -200mm

PIPEWORK SUPPORT

DUCTWORK SUPPORT

ELECTRICAL TRAY SUPPORT

This drawing is the Intellectual Property of TIPTOE

TIPTOE
TT01
Pipe, Duct or
Electrical services
support.

.....making light work of heavy loads
SUPPORT SYSTEMS FOR FLATROOFS

UNIT 41 WILVERD INDUSTRIAL
WILVERD
NOTTINGHAM NG11 7EP
TEL 0115 914 4885
FAX 0115 914 4886
Email sales@totoeduct.com

DRAWN BY	DATE
ENGINEERED	SIGNATURE
TH	12/12/05
CHECKED BY	DATE
BH	14/12/05
SCALE	NTS
PROJECT	TT01
REV	REV