

Sports Field water clearance fan cart



We were approached by Fire Safety equipment Ltd of Nottingham to help design and manufacture a cart to accept one of FSE's fire air movement fans and automated control panel.

The completed cart is used as a simple yet effective method of clearing standing water from sports fields following heavy rainfall by inflating the pvc membrane that covers the sports field after heavy rainfall, allowing the water to drain off to the sides of the pitch into rainwater drains

We designed and manufactured bespoke storage/ haulage carts in two types to carry a high powered axial fan unit to the field edge, utilizing 3D Cam cad design software.

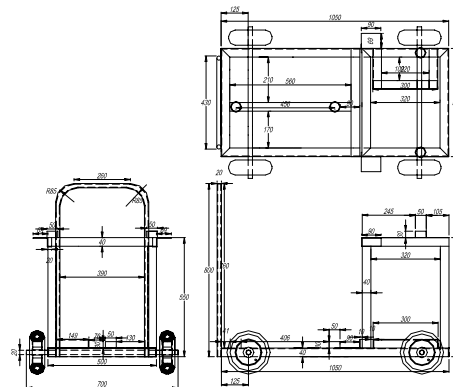
The carts incorporate low friction bearings, Pneumatic tires, and electrical control panel.

CAD drawings were used to coordinate and develop design detail during the production.

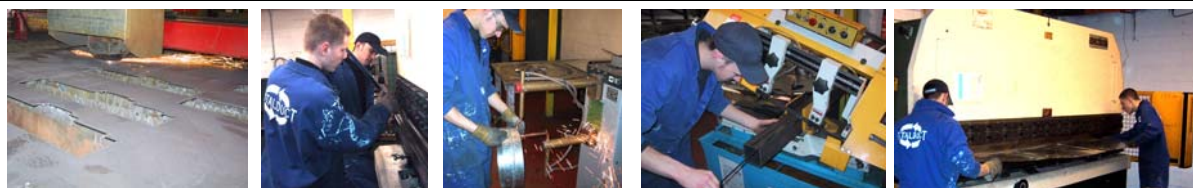
The Business of Fire Safety Equipment Limited (FSE) was set up by Campbell Walters and Graham Aitken in 1972 with the manufacture, sale and servicing of portable and wheeled fire extinguishers. In 1996 FSE was awarded the Royal Warrant of Appointment to the Queen as a supplier of fire protection equipment.

FSE has complimented its product portfolio with a broad range of rescue products including Tempest positive pressure fans, chocks and blocks, personal attachment lines, and lighting equipment.

<http://www.firesafteyequipment.net>



www.totalduct.com



TOTALDUCT
 UNIT 41 WILFORD INDUSTRIAL EST
 WILFORD, NOTTINGHAM. NG11 7EP
 TEL 0115 914 4885 FAX 0115 914 4886
 EMAIL - SALES@TOTALDUCT.COM

Design and Build Air Movement and Fabrication Specialists.

We also make a support system for flat roofs called TIPTOE. Ask us to send details or download details from our web site



TIPTOE

SUPPORT SYSTEMS for FLAT ROOFS



Projects - Fabrication

Fabrication and sheet metal bespoke engineering